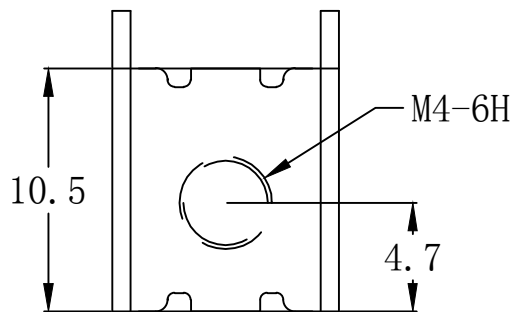


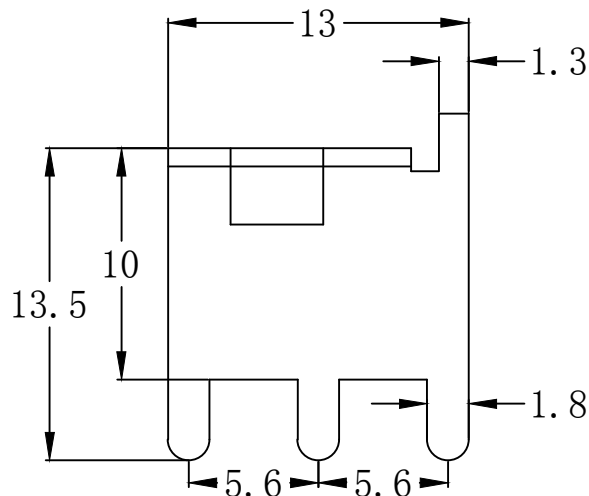
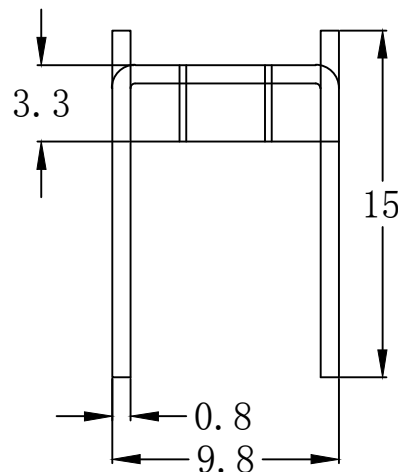
RoHS

REV	ECN NO.	DESCRIPTION	DESIGN	APPROVAL	DATE
A1	NEW	更换图框			2023.11.25



技术要求:

1. 打铜底0.5-1 μ m, 镍2-2.5 μ m, 哑锡3-5 μ m.
2. 垫片铆好后不得有松动现象.
3. 插脚尖部符合可焊性要求.
4. 螺纹需符合通止规/止针要求.
5. 螺纹扭矩: 1.4Nm.
6. 额定电流: 50A.
7. X为重点测量尺寸.



>30 \pm 0.40	x. $^{\circ}$ \pm
6-30 \pm 0.30	.x $^{\circ}$ \pm
0-6 \pm 0.20	.xx $^{\circ}$ \pm
ANGLES \pm 1 $^{\circ}$.xxx $^{\circ}$ \pm
UNITS:	mm

PART NO:	TTK46098130-1350
TITLE:	PCB SOLDERING TERMINAL

XFCN 兴飞连接器	
0769-82001899	
www.xfconn.com	
DWG NO:	/

2	垫片		H62(Y2)	1
1	插脚		H62(Y2)	1
序号	名称	零件编号	材质	数量

THESE DRAWINGS AND SPECIFICATIONS ARE THE PROPERTY OF XFCN AND SHALL NOT BE REPRODUCED, COPIED OR CUED IN ANY MANNER WITHOUT THE PRIOR WRITTEN CONSENT OF XFCN

APPD		VIEW			
CHKD		SCALE	SHEET	REV	
DRAW	Wang	NONE	1:1	A1	
DATE	2023.11.27				