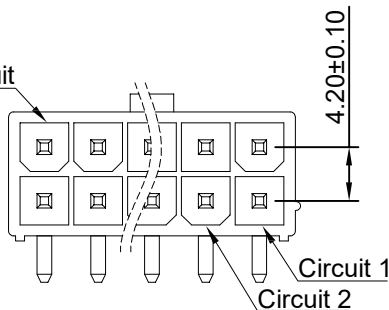


RoHS

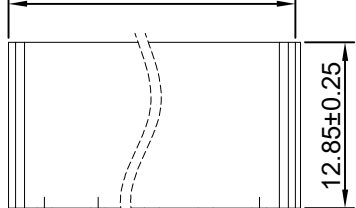
Last Circuit



4.20±0.10

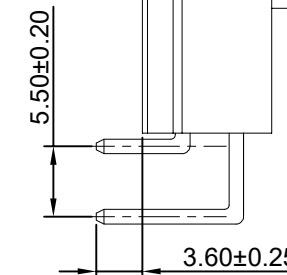
Circuit 1
Circuit 2

2x01-2x06P B±0.30
2x07-2x12P B±0.50



12.85±0.25

9.70±0.20 1.40

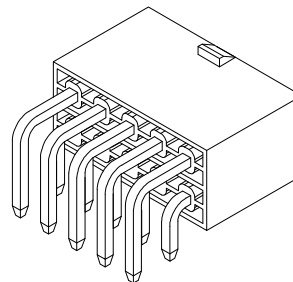


5.50±0.20

3.60±0.25

4.20±0.10 1.14±0.05

2x01-2x06P A±0.25
2x07-2x12P A±0.40



SPECIFICATIONS

- 1.Current rating: 9A AC, DC
- 2.Voltage rating: 600V AC,DC
- 3.Temperature range: -25℃ ~ +105℃
- 4.Insulation resistance: 1000MΩ Min.
- 5.Withstanding voltage: 1500V AC/ minute.
- 6.Contact resistance: 10mΩ Max.

Material:

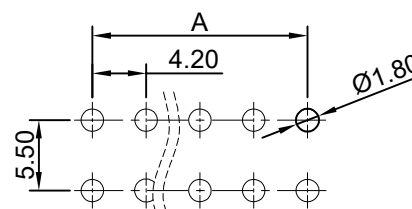
Insulator: Nylon 66 UL 94V-2
Contact: Brass
Plating: Tin plated over Nickel
Circuits: 02~24
Mate with XFCN P4202 series double row male housing

Ordering Code:

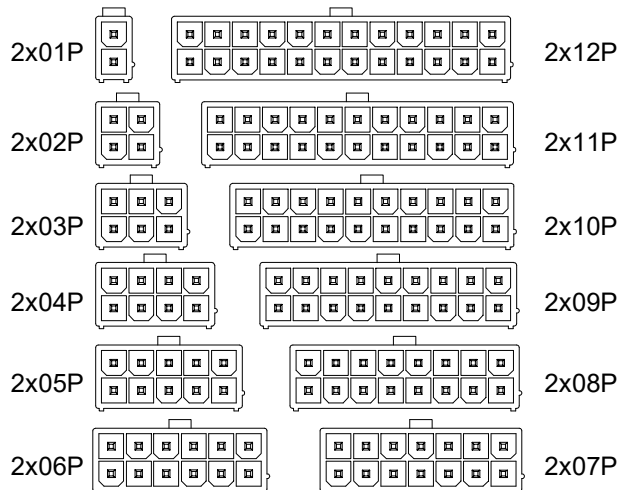
M4202R-2xNP
1 2

- 1.序列号
- 2.Pin位数:

PART NO.	Dimensions(mm)	
	A	B
2x01	--	5.60
2x02	4.20	9.80
2x03	8.40	14.00
2x04	12.60	18.20
2x05	16.80	22.40
2x06	21.00	26.60
2x07	25.20	30.80
2x08	29.40	35.00
2x09	33.60	39.20
2x10	37.80	43.40
2x11	42.00	47.60
2x12	46.20	51.80



P.C.B LAYOUT



CIRCUIT SIZE LAYOUT

X.±0.50	X.°±
.X±0.25	.X°±
.XX±0.15	.XX°±
.XXX±0.10	.XXX°±
UNITS:	mm

THESE DRAWINGS AND SPECIFICATIONS ARE THE PROPERTY OF XFCN AND SHALL NOT BE REPRODUCED, COPIED OR CUED IN ANY MANNER WITHOUT THE PRIOR WRITTEN CONSENT OF XFCN

PART NO:		M4202R-2xNP		XFCN 兴飞连接器	
TITLE:		4.20mm Crimp Style Connectors		0769-82001899	
				www.xfconn.com	
UNITS:		mm		DWG NO:	
APPD	Chen ZhiQiang	VIEW			
CHKD	Liu Wei	SCALE	SHEET	REV	
DRAW	Chen HongJiang	SCALE	1/1	REV	A1
DATE	2024.06.28	NONE			