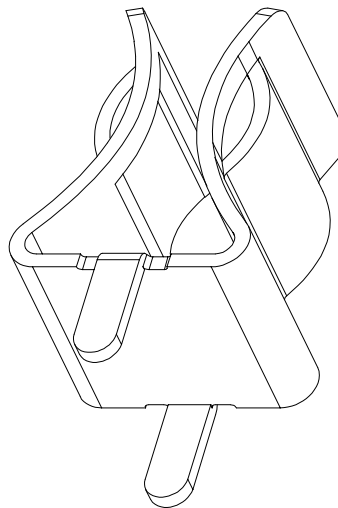
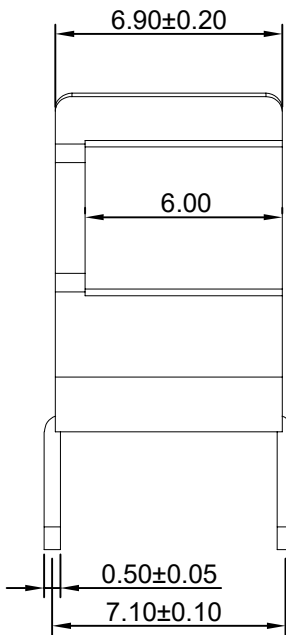
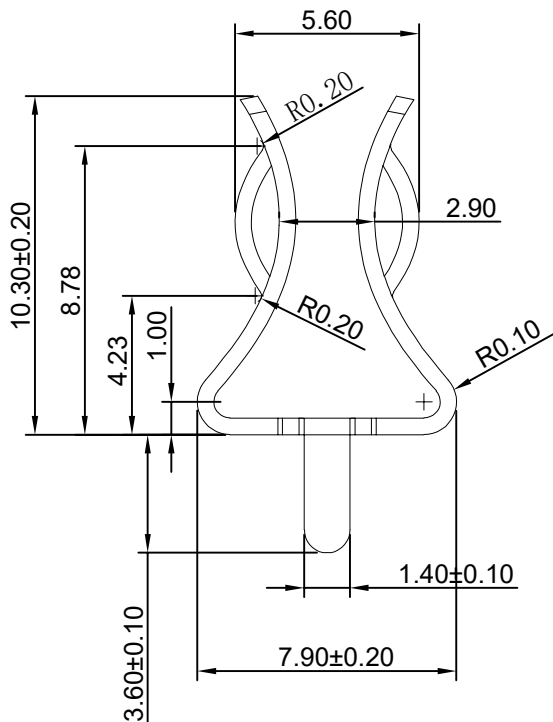
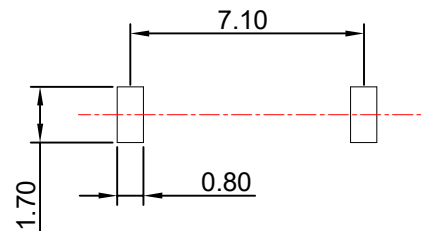


RoHS

REV	ECN NO.	DESCRIPTION	DESIGN	APPROVAL	DATE
A1	NEW	更换图框			2024.04.17



3D REFER TO



适用线路板 (PCB LAYOUT)

技术数据:

- 1.材质: 黄铜, T=0.50MM
- 2.表面处理: 镀镍
- 3.去除毛刺和锋利边缘
- 4.适用于6x30mm保险丝管
- 5.额定电流: 15A
- 7.符合ROHS标准

X.±0.50	X.°±	PART NO:		XFCN 兴飞连接器			
.X±0.25	.X°±	XF-007		0769-82001899			
.XX±0.15	.XX°±	TITLE:		www.xfconn.com			
.XXX±0.10	.XXX°±	保险丝夹 6x30mm 黄铜 镀镍		DWG NO: /			
UNITS:	mm	APPD	Chen ZhiQiang	VIEW			
THESE DRAWINGS AND SPECIFICATIONS ARE THE PROPERTY OF XFCN AND SHALL NOT BE REPRODUCED, COPIED OR CUED IN ANY MANNER WITHOUT THE PRIOR WRITTEN CONSENT OF XFCN		CHKD	Liu Wei	SCALE	SHEET	REV	
		DRAW	Chen HongJiang	NONE	1/1	A1	
		DATE	2024.04.25				