

RoHS

REV	ECN NO.	DESCRIPTION	DESIGN	APPROVAL	DATE
A1	NEW	更换图框			2023.11.25

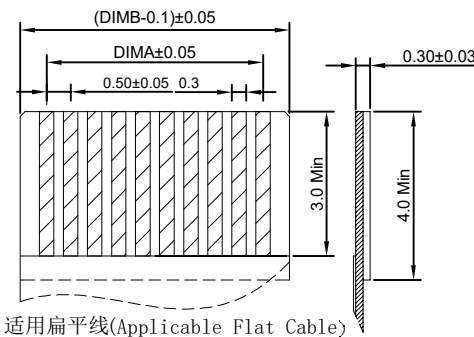
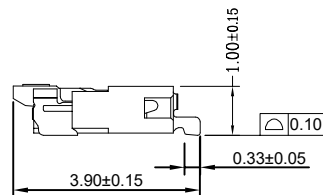
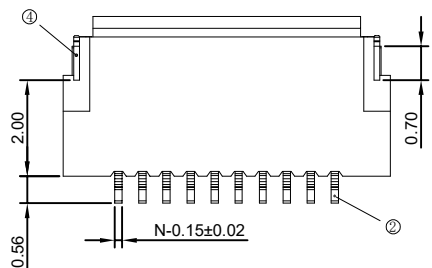
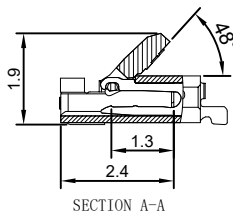
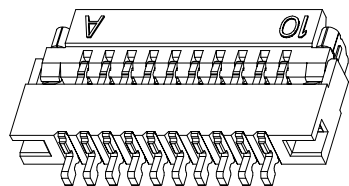
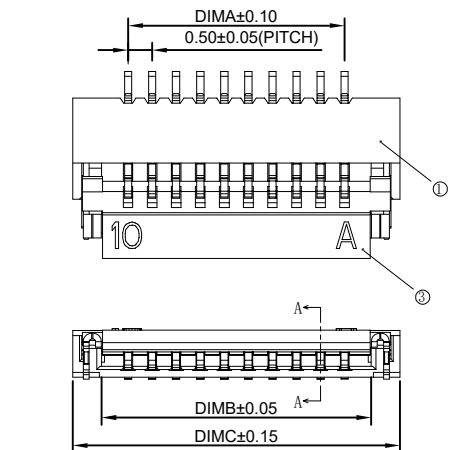
Ordering Code:

F0502-B-xx-10G-R
1 2 3 4

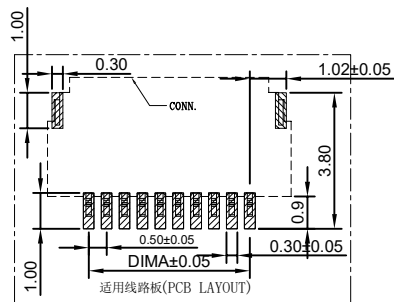
1. 序列号
2. Pin位数:04=04
3. 电镀方式:G=镀金
4. 包装方式:R=卷装

技术指标:

1. 塑件表面应光洁、无毛边、无明显收缩、缺陷、裂纹等现象。
2. 温度范围(Temperature range): -25℃~+85℃
3. 额定电流(Current rating):0.5A AC/DC
4. 额定电压(Rated voltage): 50V AC/DC
5. 接触电阻(Contact resistance): ≤0.03 Ω.
6. 绝缘电阻(Insulation resistance):≥500M Ω.DC500V.



适用扁平线(Applicable Flat Cable)



适用线路板(PCB LAYOUT)

CKT	DIMA	DIMB	DIMC	DIMD	CKT	DIMA	DIMB	DIMC	DIMD
04	1.50	2.60	3.80		28	13.50	14.60	15.80	5.20
05	2.00	3.10	4.30		29	14.00	15.10	16.30	
06	2.50	3.60	4.80		30	14.50	15.60	16.80	
07	3.00	4.10	5.30		31	15.00	16.10	17.30	
08	3.50	4.60	5.80		32	15.50	16.60	17.80	
09	4.00	5.10	6.30		33	16.00	17.10	18.30	
10	4.50	5.60	6.80		34	16.50	17.60	18.80	
11	5.00	6.10	7.30		35	17.00	18.10	19.30	
12	5.50	6.60	7.80		36	17.50	18.60	19.80	
13	6.00	7.10	8.30		37	18.00	19.10	20.30	
14	6.50	7.60	8.80		38	18.50	19.60	20.80	
15	7.00	8.10	9.30		39	19.00	20.10	21.30	
16	7.50	8.60	9.80		40	19.50	20.60	21.80	
17	8.00	9.10	10.30		41	20.00	21.10	22.30	
18	8.50	9.60	10.80		42	20.50	21.60	22.80	
19	9.00	10.10	11.30	5.20	43	21.00	22.10	23.30	5.75
20	9.50	10.60	11.80		44	21.50	22.60	23.80	
21	10.00	11.10	12.30		45	22.00	23.10	24.30	
22	10.50	11.60	12.80		46	22.50	23.60	24.80	
23	11.00	12.10	13.30		47	23.00	24.10	25.30	
24	11.50	12.60	13.80		48	23.50	24.60	25.80	
25	12.00	13.10	14.30		49	24.00	25.10	26.30	
26	12.50	13.60	14.80		50	24.50	25.60	26.80	
27	13.00	14.10	15.30						

④	焊片	铜合金/表面镀锡
③	后盖	LCP UL94V-0 黑色
②	端子	铜合金/表面镀金
①	基座	LCP UL94V-0 本色
序号	名称	材质

X±0.50	X.°±
.X±0.25	.X°±
.XX±0.15	.XX°±
.XXX±0.10	.XXX°±
UNITS:	mm

THESE DRAWINGS AND SPECIFICATIONS ARE THE PROPERTY OF XFCN AND SHALL NOT BE REPRODUCED, COPIED OR CUED IN ANY MANNER WITHOUT THE PRIOR WRITTEN CONSENT OF XFCN

PART NO:		F0502-B-xx-10G-R		XFCN 兴飞连接器	
TITLE:		FPC0.5mmPitch 掀盖卧式下接(H=1.0)		0769-82001899	
				www.xfconn.com	
				DWG NO: /	
APPD	Chen ZhiQiang	VIEW			
CHKD	Liu Wei	SCALE	SHEET	REV	
DRAW	Chen HongJiang	SCALE	1/1	A1	
DATE	2024.05.27	NONE			