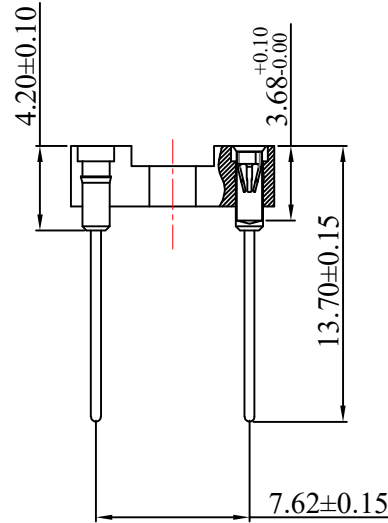
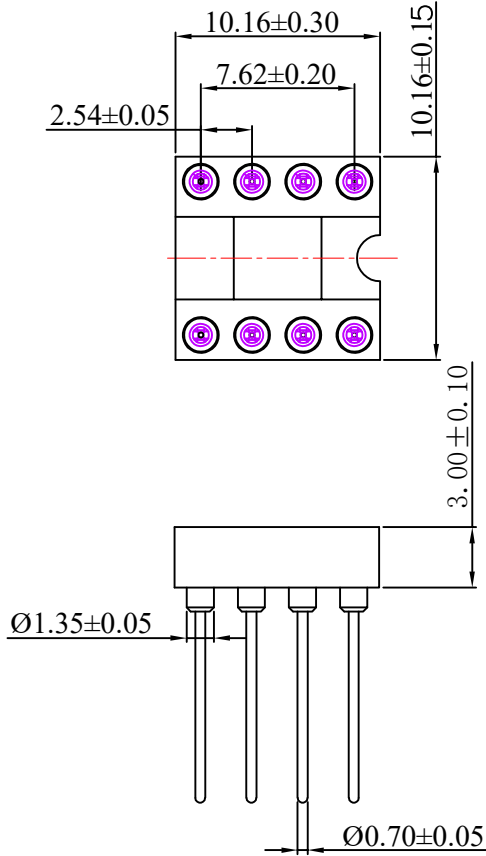


# RoHS

REV	ECN NO.	DESCRIPTION	DESIGN	APPROVAL	DATE
A1	NEW	更换图框			2023.11.25



### Technical Data

#### Material:

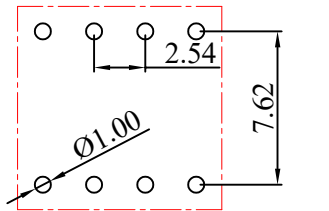
Contact Material: Copper Alloy  
 Contact Plating: Au or Sn Over Ni  
 Insulator Material: PBT/PPS UL94V-0

#### Electrical:

Rating current: 3Amps/contact max  
 Rating voltage: 60V AC/DC  
 Contact resistance: ≤4MΩ/contact  
 Insulation resistance: ≥1000MΩ  
 withstanding Voltage: 500V AC/minute

#### Mechanical:

Operating temperatures: Gold Plated: -55°C to +105°C  
 Tin Plated: -40°C to +105°C  
 Soldering temperature: +260°C MAX(PPS)  
 +255°C MAX(PBT)



P. C. B LAYOUT

X.±0.50	X.°±	PART NO:		IC254V-12-08-1370-07		<b>XFCN</b> 兴飞连接器	
.X±0.25	.X°±	TITLE:		2.54mm IC Socket Connectors		0769-82001899	
.XX±0.15	.XX°±					www.xfconn.com	
.XXX±0.10	.XXX°±					DWG NO:	
UNITS:	mm	APPD	Chen ZhiQiang	VIEW			
THESE DRAWINGS AND SPECIFICATIONS ARE THE PROPERTY OF XFCN AND SHALL NOT BE REPRODUCED, COPIED OR CUED IN ANY MANNER WITHOUT THE PRIOR WRITTEN CONSENT OF XFCN		CHKD	Liu Wei	SCALE	SHEET	REV	
		DRAW	Chen HongJiang		1/1	A1	
		DATE	2024.05.18	NONE			