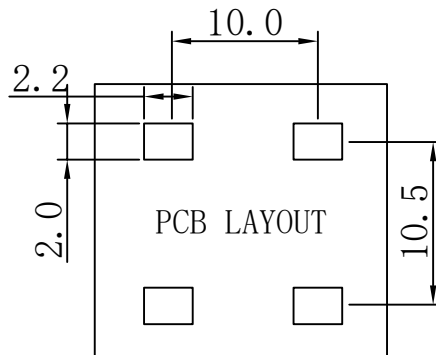
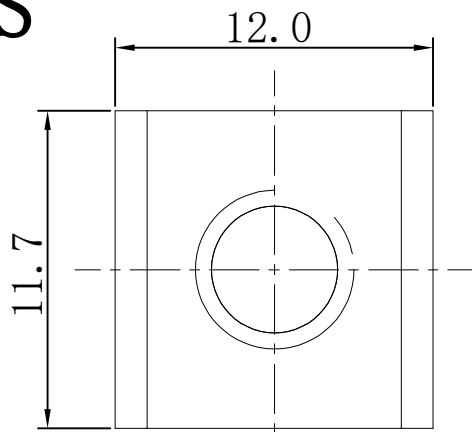


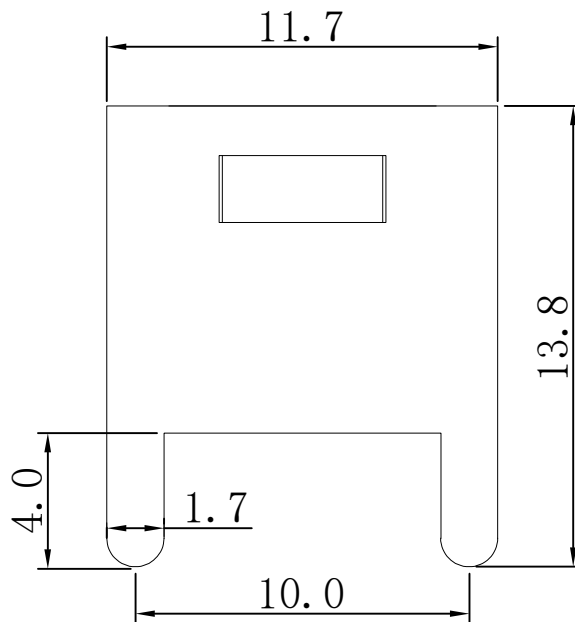
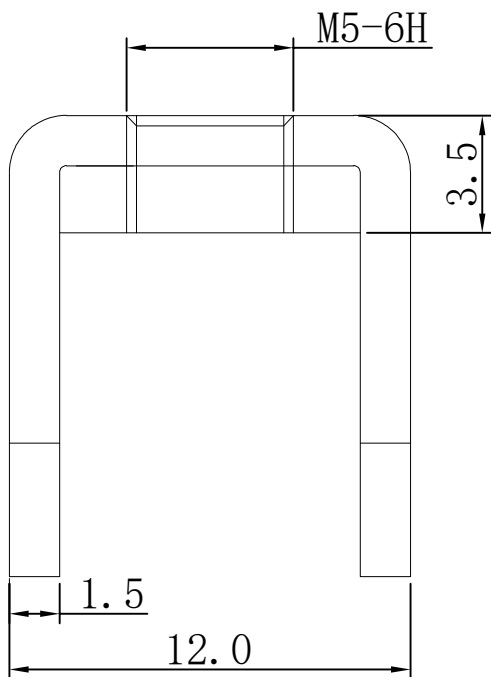
RoHS

REV.	ECN NO.	DESCRIPTION	DESIGN	APPROVAL	DATE
A1	NEW	更换图框			2023.09.03



技术要求:

- 1.打铜底0.5-1 $\mu$ m,镍2-2.5 $\mu$ m, 镀雾锡3-5 $\mu$ m。
- 2.铆好后不得有松动现象。
- 3.插脚尖部符合可焊性要求。
- 4.螺纹需符合通止规/止针要求。
- 5.螺纹扭矩: 2.4Nm.
- 6.额定电流: 100A



>30 $\pm$ 0.4	X. $^{\circ}$ $\pm$
6-30 $\pm$ 0.3	.X $^{\circ}$ $\pm$
0-6 $\pm$ 0.2	.XX $^{\circ}$ $\pm$
ANGLES $\pm$ 1 $^{\circ}$	.XXX $^{\circ}$ $\pm$
UNITS:	mm

PART NO: TT54120117-1380

**XFCN 兴飞连接器**

TITLE: PCB SOLDERING TERMINAL

0769-82001899

www.xfconn.com

DWG NO: /

APPD: Chen ZhiQiang

CHKD: Liu Wei

DRAW: Chen HongJiang

DATE: 2024.04.23

VIEW

SCALE

NONE



SHEET

1/1

REV

A1

2	垫片		SPCC	1
1	插脚		H62 (Y2)	1
序号	名称	零件编号	材质	数量

THESE DRAWINGS AND SPECIFICATIONS ARE THE PROPERTY OF XFCN AND SHALL NOT BE REPRODUCED, COPIED OR CUED IN ANY MANNER WITHOUT THE PRIOR WRITTEN CONSENT OF XFCN

8

7

6

5

4

3

2

1

8

7

6

5

4

3

2

1