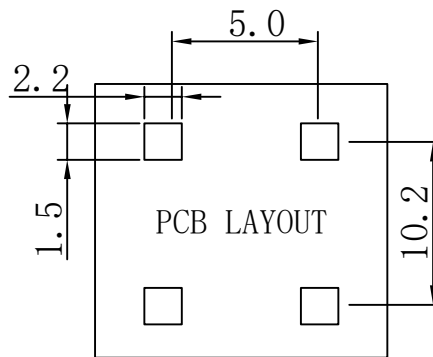
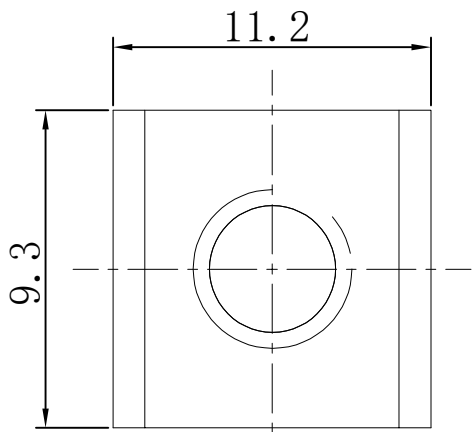


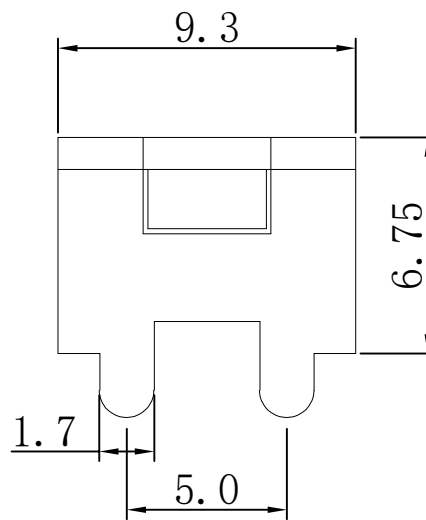
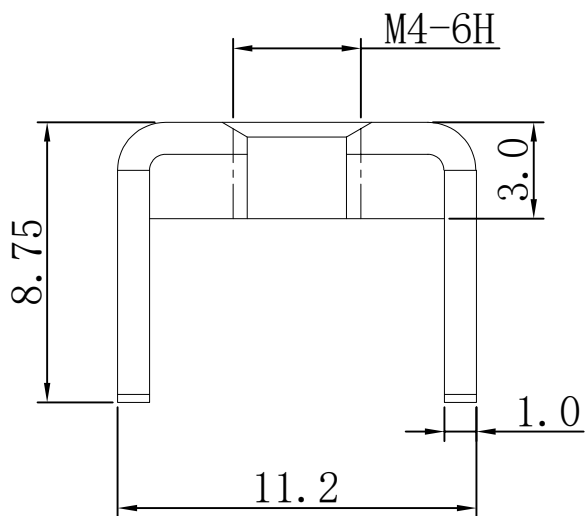
RoHS

| REV. | ECN NO. | DESCRIPTION | DESIGN | APPROVAL | DATE |
|------|---------|-------------|--------|----------|------------|
| A1 | NEW | 更换图框 | | | 2023.09.03 |



技术要求:

- 1.打铜底0.5-1 μ m,镍2-2.5 μ m, 镀雾锡3-5 μ m。
- 2.铆好后不得有松动现象。
- 3.插脚尖部符合可焊性要求。
- 4.螺纹需符合通止规/止针要求。
- 5.螺纹扭矩: 1.2Nm.
- 6.额定电流: 50A.



| | |
|---------------------------|-----------------------|
| >30 \pm 0.4 | X. $^{\circ}$ \pm |
| 6-30 \pm 0.3 | .X $^{\circ}$ \pm |
| 0-6 \pm 0.2 | .XX $^{\circ}$ \pm |
| ANGLES \pm 1 $^{\circ}$ | .XXX $^{\circ}$ \pm |
| UNITS: | mm |

PART NO: TT44112093-0875

XFCN 兴飞连接器

TITLE: PCB SOLDERING TERMINAL

0769-82001899

www.xfconn.com

DWG NO: /

APPD: Chen ZhiQiang

CHKD: Liu Wei

DRAW: Chen HongJiang

DATE: 2024.04.23

VIEW

SCALE

NONE

SHEET: 1/1

REV: A1

| | | | | |
|----|----|------|----------|----|
| 2 | 垫片 | | SPCC | 1 |
| 1 | 插脚 | | H62 (Y2) | 1 |
| 序号 | 名称 | 零件编号 | 材质 | 数量 |

THESE DRAWINGS AND SPECIFICATIONS ARE THE PROPERTY OF XFCN AND SHALL NOT BE REPRODUCED, COPIED OR CUED IN ANY MANNER WITHOUT THE PRIOR WRITTEN CONSENT OF XFCN