

RoHS

REV	ECN NO.	DESCRIPTION	DESIGN	APPROVAL	DATE
A1	NEW	更换图框			2024.05.24

SPECIFICATIONS

1. Current rating: 3A
2. Temperature range: -40°C ~ +105°C
3. Insulation resistance: 1000MΩ Min.
4. Withstanding voltage: 600V AC/ minute.
5. Contact resistance: 20mΩ Max.

Material:

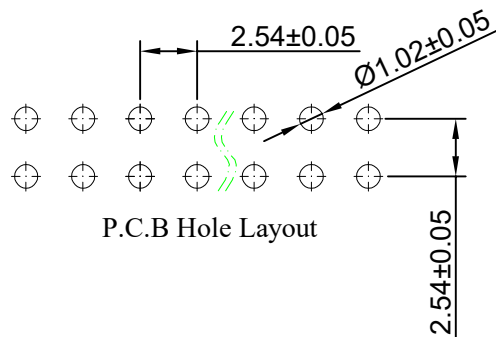
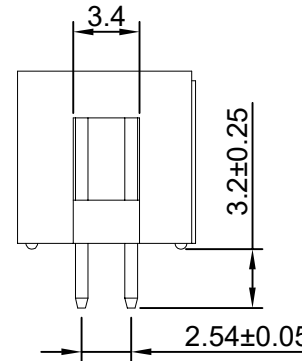
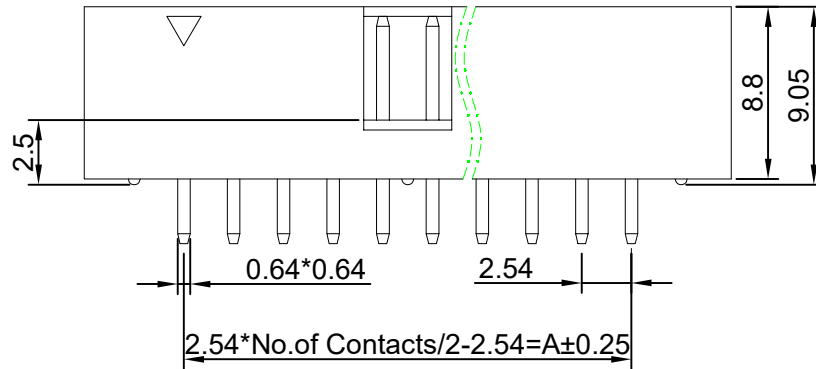
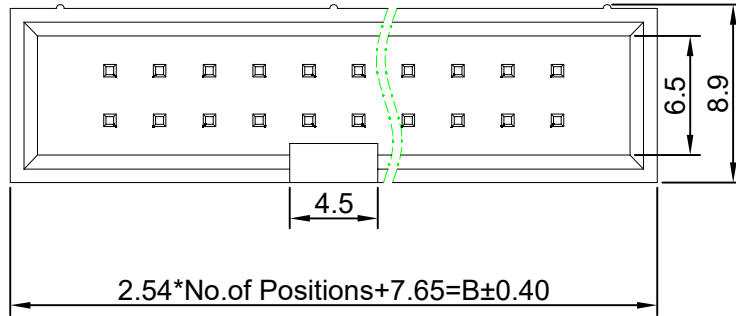
Insulator Material:PBT (UL 94V-0) Black
 Contact Material:Copper Alloy
 Plating:Matte Tin or gold plated over Nickel

Ordering Code:

BH254V-xxP
 1 2

1.序列号

2.Pin位数: 2x03=06P



No. of PIN/ROW	Dimension	
	A	B
2x03	5.08	15.27
2x04	7.62	17.81
2x05	10.16	20.35
2x06	12.70	22.89
2x07	15.24	25.43
2x08	17.78	27.97
2x09	20.32	30.51
2x10	22.86	33.05
2x11	27.94	38.13
2x13	30.48	40.67
2x15	35.56	45.75
2x17	40.64	50.83
2x19	45.72	55.91
2x20	48.26	58.45
2x25	60.96	71.15
2x30	73.66	83.85
2x32	78.74	88.93

X.±0.50	X.°±
.X±0.25	.X°±
.XX±0.15	.XX°±
.XXX±0.10	.XXX°±
UNITS:	mm

PART NO: BH254V-xxP		XFCN 兴飞连接器	
TITLE: 2.54mm Box Header Connectors		0769-82001899	
		www.xfconn.com	
		DWG NO: /	
APPD	Chen ZhiQiang	VIEW	
CHKD	Liu Wei	SCALE	SHEET
DRAW	Chen HongJiang	SCALE	REV
DATE	2024.07.19	NONE	1/1 A1

THESE DRAWINGS AND SPECIFICATIONS ARE THE PROPERTY OF XFCN AND SHALL NOT BE REPRODUCED, COPIED OR CUED IN ANY MANNER WITHOUT THE PRIOR WRITTEN CONSENT OF XFCN