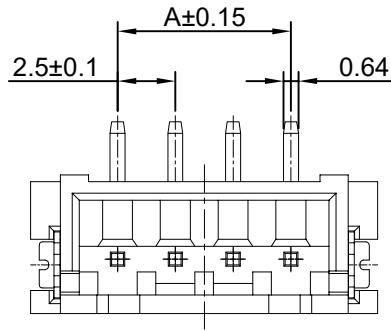


RoHS

REV	ECN NO.	DESCRIPTION	DESIGN	APPROVAL	DATE
A1	NEW	更换图框			2023.11.25



SPECIFICATIONS

- Current rating: 3A AC, DC
- Temperature range: -25°C ~ +85°C
- Insulation Resistance: 1000MΩ Min.
- Withstanding voltage: 1000V AC/ minute.
- Contact Resistance: 10mΩ Max.

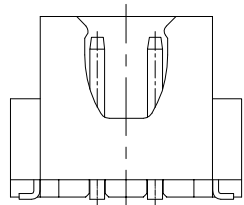
Material:

Insulator: PA9T UL 94V-0
 Contact: Phosphor Bronze or Brass
 Solder Tab: Brass
 Plating: Tin plated
 Circuits: 02~16P
 Mate with: XFCN P2501 series Housing

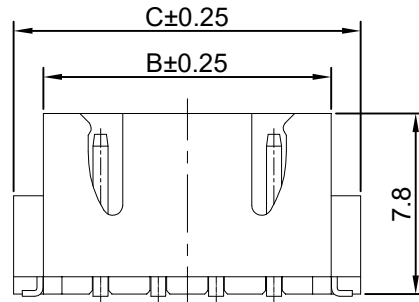
Ordering Code:

M2501VS-XX
 1 2

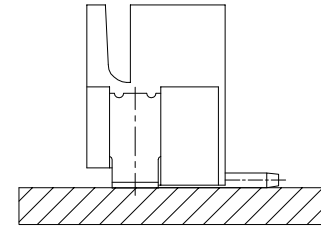
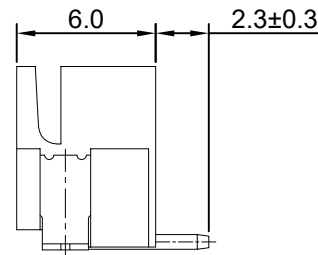
- 序列号
- Pin位数: 02-16P



2P样式

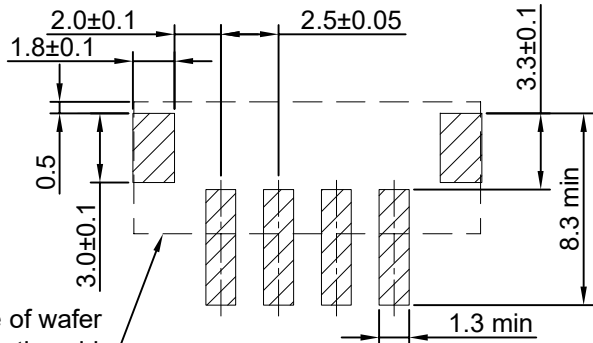


3-16P样式



Assembly Layout

PIN	尺寸 (mm)		
	A	B	C
02	2.50	7.45	10.00
03	5.00	9.95	12.50
04	7.50	12.45	15.00
05	10.00	14.95	17.50
06	12.50	17.45	20.00
07	15.00	19.95	22.50
08	17.50	22.45	25.00
09	20.00	24.95	27.50
10	22.50	27.45	30.00
11	25.00	29.95	32.50
12	27.50	32.45	35.00
13	30.00	34.95	37.50
14	32.50	37.45	40.00
15	35.00	39.95	42.50
16	37.50	42.45	45.00



End face of wafer on the mating side

PCB LAYOUT

X.±0.50	X.°±
.X±0.25	.X°±
.XX±0.15	.XX°±
.XXX±0.10	.XXX°±
UNITS:	mm

PART NO:
M2501VS-XX

TITLE:
2.50mm Crimp Style Connectors

APPD	Chen ZhiQiang
CHKD	Liu Wei
DRAW	Chen HongJiang
DATE	2024.07.27

XFCN 兴飞连接器

0769-82001899

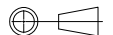
www.xfconn.com

DWG NO:

/

THESE DRAWINGS AND SPECIFICATIONS ARE THE PROPERTY OF XFCN AND SHALL NOT BE REPRODUCED, COPIED OR CUED IN ANY MANNER WITHOUT THE PRIOR WRITTEN CONSENT OF XFCN

VIEW



SCALE

SHEET

REV

NONE

1/1

A1