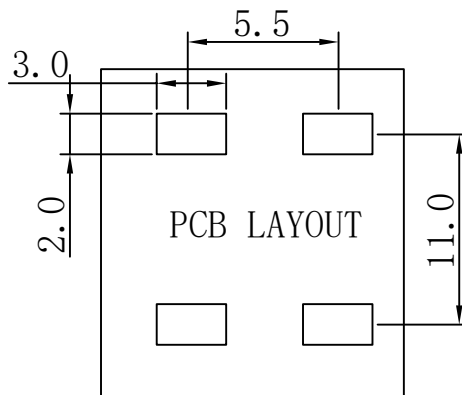
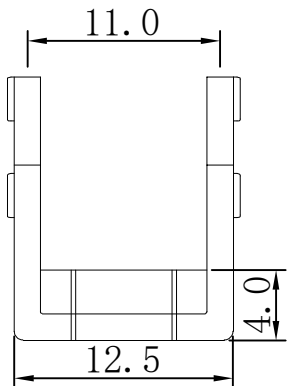


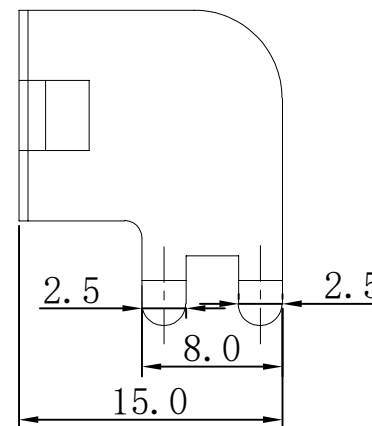
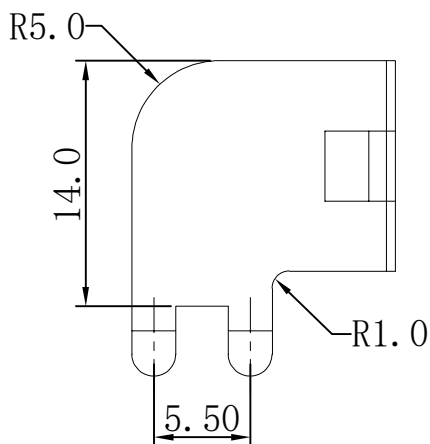
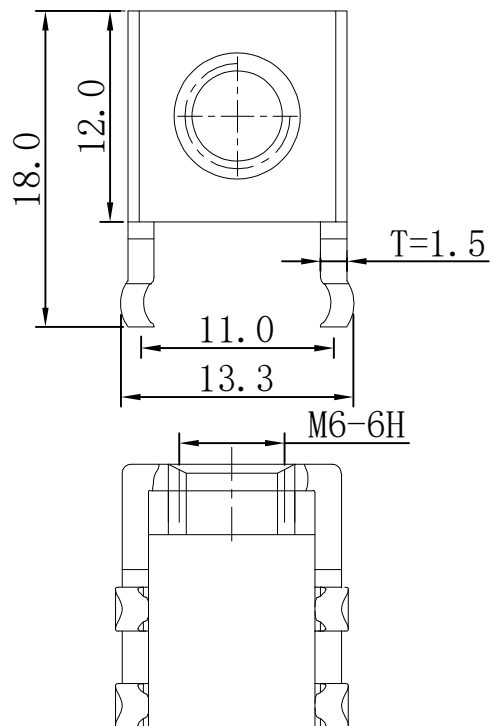
RoHS

REV.	ECN NO.	DESCRIPTION	DESIGN	APPROVAL	DATE
A1	NEW	更换图框			2023.09.03



技术要求:

- 1.打铜底0.5-1 μ m,镍2-2.5 μ m, 镀雾锡3-5 μ m。
- 2.铆好后不得有松动现象。
- 3.插脚尖部符合可焊性要求。
- 4.螺纹需符合通止规/止针要求。
- 5.螺纹扭矩: 2.8Nm.
- 6.额定电流: 100A.



>30.±0.4	X.°±
6-30±0.3	.X°±
0-6±0.2	.XX°±
ANGLES±1°	.XXX°±
UNITS:	mm

PART NO: TTR64125180-1500

XFCN 兴飞连接器

TITLE: PCB SOLDERING TERMINAL

0769-82001899

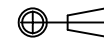
www.xfconn.com

DWG NO: /

APPD: Chen ZhiQiang

CHKD: Liu Wei

VIEW



DRAW: Chen HongJiang

SCALE

SHEET

REV

DATE: 2024.04.23

NONE

1/1

A1

THESE DRAWINGS AND SPECIFICATIONS ARE THE PROPERTY OF XFCN AND SHALL NOT BE REPRODUCED, COPIED OR CUED IN ANY MANNER WITHOUT THE PRIOR WRITTEN CONSENT OF XFCN

2	垫片		SPCC	1
1	插脚		T2 (Y2)	1
序号	名称	零件编号	材质	数量