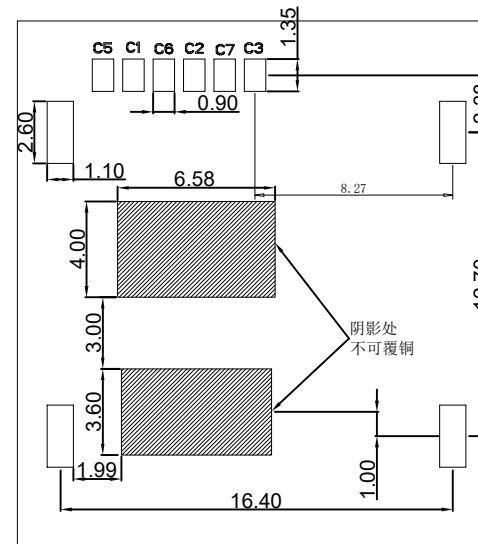
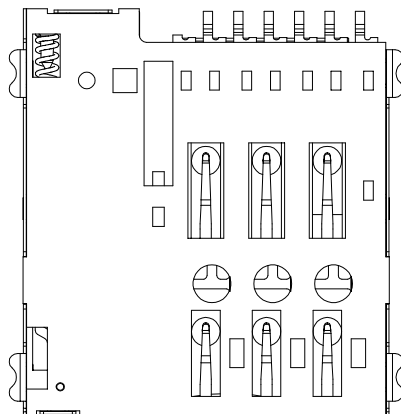
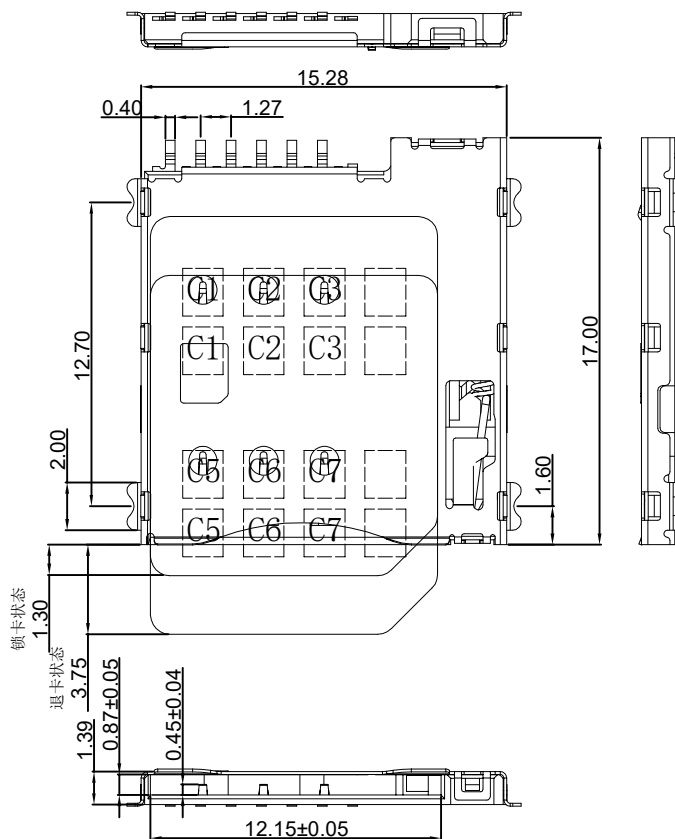


RoHS

REV	ECN NO.	DESCRIPTION	DESIGN	APPROVAL	DATE
A1	NEW	更换图框			2023.11.25



NOTES:

1.MATERIAL:

HOUSING:LCP S475 UL 94V-0
CONTACT:C5191
SHELL:SUS304-H

2.FINISH:

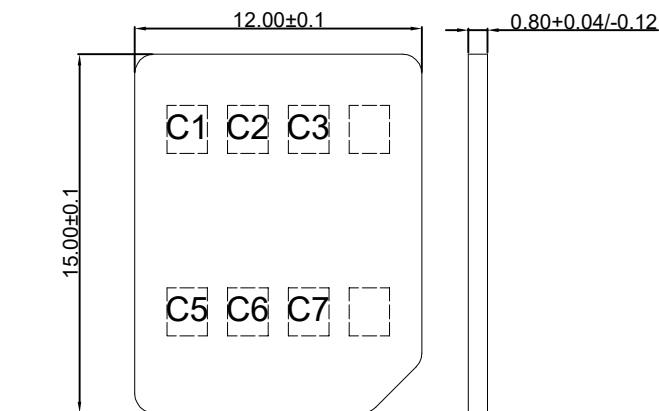
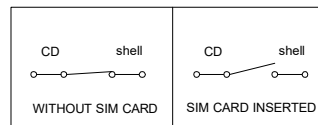
CONTACT:GOLD FLASH PLATED ON CONTACT AREA
GOLD FLASH PLATED ON SOLDER TAILS

3.ELECTRICAL CHARACTERISTICS

RATING CURRENT : 0.5A MAX
CONTACT RESISTANCE :50 mΩ MAX
DIELECTRIC WITHSTANDING : 500V AC MIN
INSULATION RESISTANCE: 1000 MΩ MIN

4.MECHANICAL CHARACTERISTICS

MATING CYCLE :3000 CYCLES



SIM pin Assignment	
PIN#	Name
C1	VCC
C2	RST
C3	CLK
C5	GND
C6	VPP
C7	I/O

X. 0. 3	X.°±
. X±0. 2	.X°±
. XX±0. 08	.XX°±
. XXX±0. 03	.XXX°±
UNITS:	mm

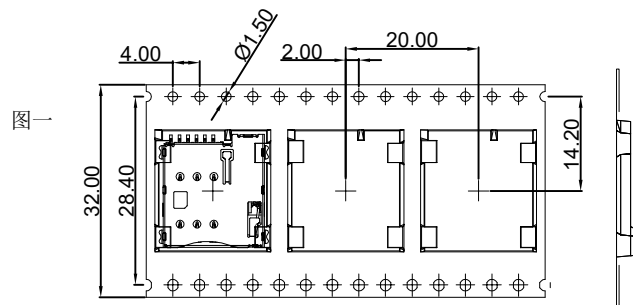
THESE DRAWINGS AND SPECIFICATIONS ARE THE PROPERTY OF XFCN AND SHALL NOT BE REPRODUCED, COPIED OR CUED IN ANY MANNER WITHOUT THE PRIOR WRITTEN CONSENT OF XFCN

PART NO:		MIS22-S1F1-2000-A		XFCN 兴飞连接器	
TITLE:		MICRO SIM PUSN卡座 (有CD)		0769-82001899	
				www.xfconn.com	
				DWG NO: /	
APPD	Chen ZhiQiang	VIEW			
CHKD	Liu Wei	SCALE	SHEET	REV	
DRAW	Chen HongJiang	SCALE	1/2	A1	
DATE	2024.08.19	NONE			

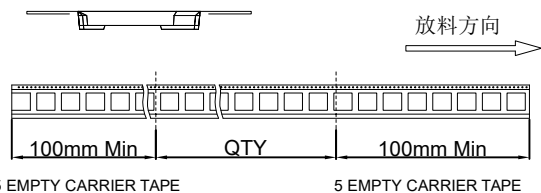
RoHS

REV	ECN NO.	DESCRIPTION	DESIGN	APPROVAL	DATE
A1	NEW	更换图框			2023.11.25

QTY/REEL	REEL/CARTON	QTY/CARTON
1200	10	12000



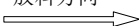
图三



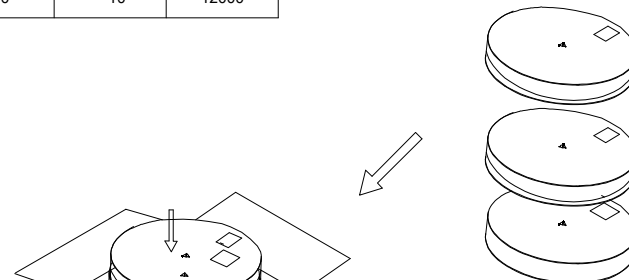
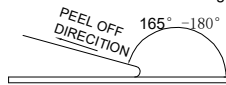
5 EMPTY CARRIER TAPE

5 EMPTY CARRIER TAPE

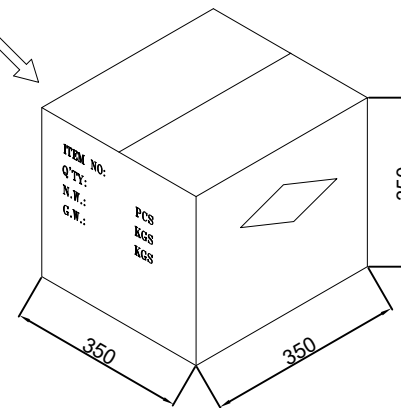
放料方向



COVER TAPE PEELING FORCE:50gf-150gf



四角放三角护板

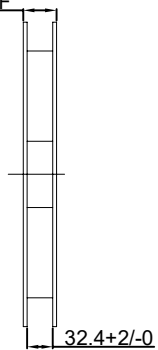


- 1.依(图一)示放置产品于下载中, 每穴放置1PCS产品。
- 2.包装机包好后, 在REEL的等分点贴上胶带, 以防止 REEL张开, 每REEL贴1PCS标签,
- 3.包装数量见如TABLE 1
- 4.包装成箱见如图三

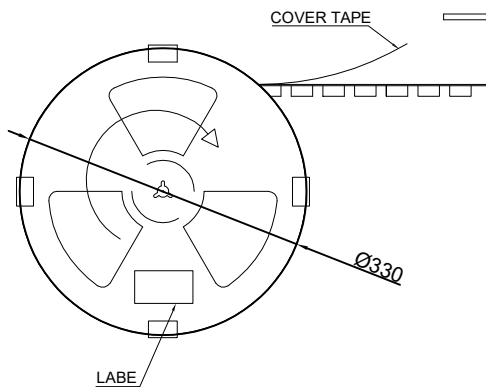
- 箱底放保丽龙板, 在依次将指定数量卷装放入箱内, 四角分别放入四个三角护板, 最上层再放保丽龙板。
- 5.封箱, 在封好的纸箱上按客户要求写上料号, 数量等。

图二

36.4 REF



32.4+2/-0



X. 0. 3	X. ° ±
. X ± 0. 2	. X ° ±
. XX ± 0. 08	. XX ° ±
. XXX ± 0. 03	. XXX ° ±
UNITS:	mm

THESE DRAWINGS AND SPECIFICATIONS ARE THE PROPERTY OF XFCN AND SHALL NOT BE REPRODUCED, COPIED OR CUED IN ANY MANNER WITHOUT THE PRIOR WRITTEN CONSENT OF XFCN

PART NO:		MIS22-S1F1-2000-A		XFCN 兴飞连接器	
TITLE:		MICRO SIM PUSN卡座 (有CD) 包装图		0769-82001899	
				www.xfconn.com	
UNITS:		mm		DWG NO: /	
APPD	Chen ZhiQiang	VIEW			
CHKD	Liu Wei	SCALE	SHEET	REV	
DRAW	Chen HongJiang	SCALE	2/2	A1	
DATE	2024.08.19	NONE			