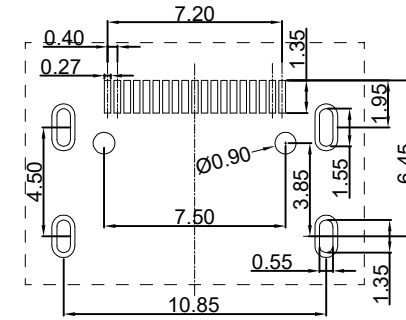
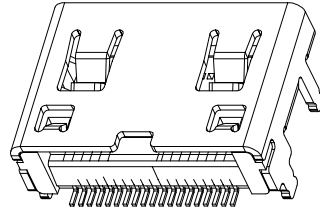
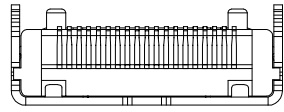
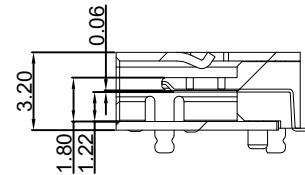
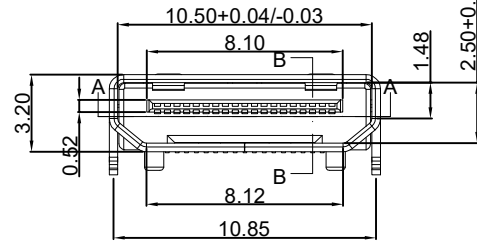
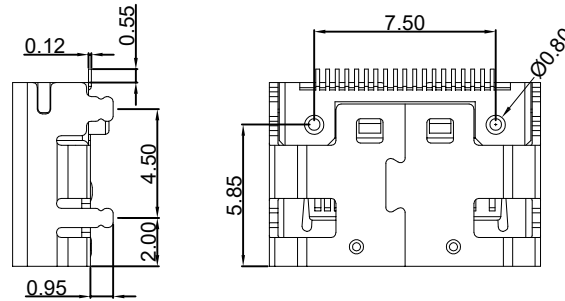
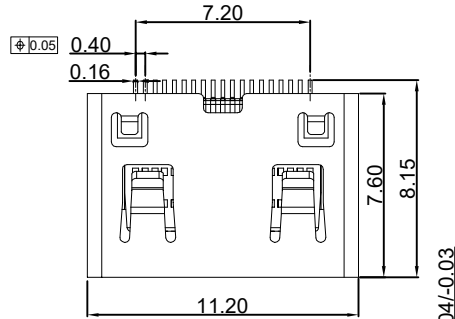


# RoHS

REV	ECN NO.	DESCRIPTION	DESIGN	APPROVAL	DATE
A1	NEW	更换图框			2023.11.25



RECOMMENDED PCB HOLE LAYOUT  
COMPONENT SIDE VIEW(TOLERANCE:±0.05)



SECTION B-B

特性: Specifications:

电器: Electrical:

接触阻抗: Contact Resistance 30 milliohms Max

耐电压: Dielectric Withstanding Voltage: 500VAC Sea Level

绝缘阻抗: Insulation Resistance: 100 MEGA ohms MIN

材料: Material:

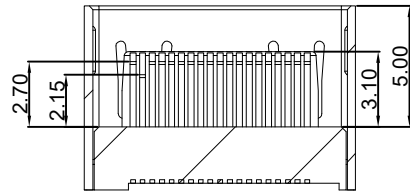
塑胶Housing: Hmg Temperature Thermoplastics.LCP UL94V-0 Black

端子: Contact: Copper Alloy铜合金

电镀Finish: 端子Contact: Gold plated 1u 镀全金

外壳: shell: Copper Alloy铜合金

电镀Finish: 外壳: Gold plated



SECTION A-A

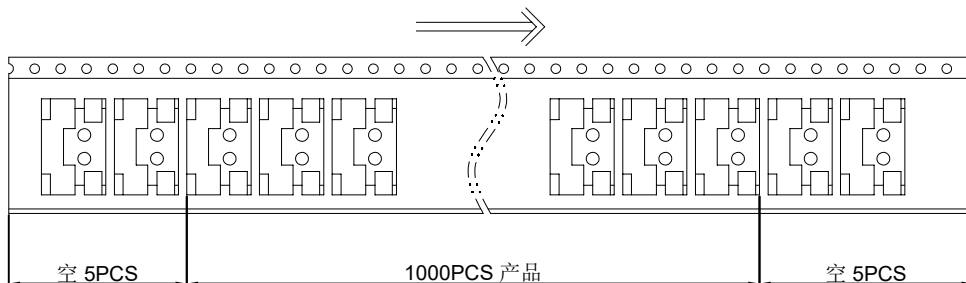
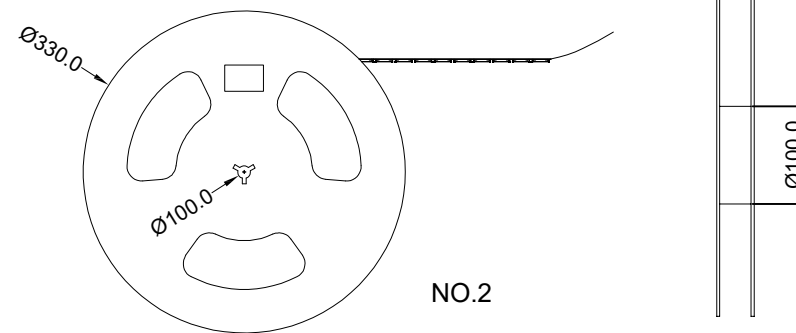
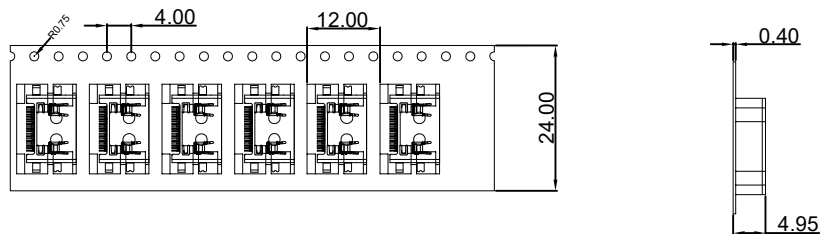
X. 0.3	X.°±
. X±0.2	.X°±
. XX±0.08	.XX°±
. XXX±0.03	.XXX°±
UNITS:	mm

PART NO:		HDC12-F1F1-2000-A		<b>XFCN</b> 兴飞连接器	
TITLE:		HDMI C TYPE 全金1U		0769-82001899	
				www.xfconn.com	
UNITS:		mm		DWG NO: /	
APPD	Chen ZhiQiang	VIEW			
CHKD	Liu Wei	SCALE			
DRAW	Chen HongJiang	SHEET	1/2	REV	
DATE	2024.08.13	NONE	1/2	A1	

THESE DRAWINGS AND SPECIFICATIONS ARE THE PROPERTY OF XFCN AND SHALL NOT BE REPRODUCED, COPIED OR CUED IN ANY MANNER WITHOUT THE PRIOR WRITTEN CONSENT OF XFCN

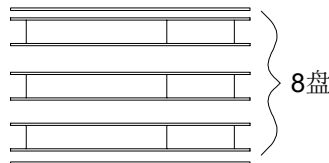
# RoHS

REV	ECN NO.	DESCRIPTION	DESIGN	APPROVAL	DATE
A1	NEW	更换图框			2023.11.25



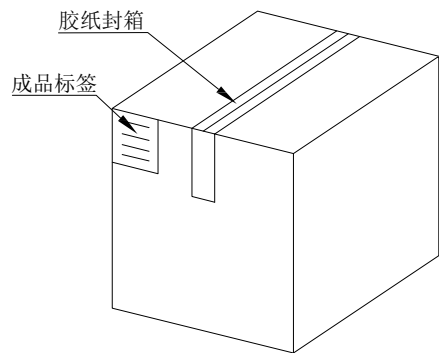
NO.1

纸板



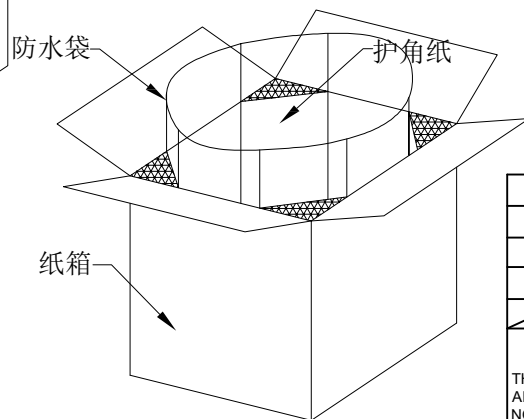
8盘

纸板



纸箱规格: 330\*330\*385

NO.4



NO.3

1. 材质要求:

- 1.1 纸箱的材质为K=K;外形尺寸为330\*330\*385;
  - 1.2 卷盘的材质为PS,卷盘的外形尺寸为0330\*30.4;
  - 1.3 卷带的材质为PS,卷带的外形尺寸为20200\*24.00\*4.95mm;
2. 包装方式:
- 2.1 将卷带放入包装机后, 前空5PCS,后放产品1000PCS, 后再空5PCS;上带留300MM长度。
  - 2.2 将包装好的产品从包装机上取下并包装好, 贴上内盘标签;
  - 2.3 把累叠好的8盘叠放入纸箱中共计8Kset,上下放纸板, 纸箱四个角塞护角纸;
  - 2.4 把包装好的成品打包封箱, 并在纸箱外贴上标签

X.0.3	X.°±	PART NO:		HDC12-F1F1-2000-A		<b>XFCN</b> 兴飞连接器	
.X±0.2	.X°±	TITLE:		HDMI C TYPE 全金1U 包装图		0769-82001899	
.XX±0.08	.XX°±	UNITS:		mm		www.xfconn.com	
.XXX±0.03	.XXX°±	APPD		Chen ZhiQiang		DWG NO: /	
THESE DRAWINGS AND SPECIFICATIONS ARE THE PROPERTY OF XFCN AND SHALL NOT BE REPRODUCED, COPIED OR CUED IN ANY MANNER WITHOUT THE PRIOR WRITTEN CONSENT OF XFCN		CHKD		Liu Wei		VIEW	
		DRAW		Chen HongJiang		SCALE	
		DATE		2024.08.13		SHEET	
						2/2	
						REV	
						A1	