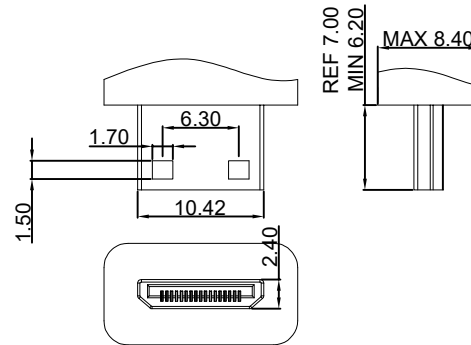
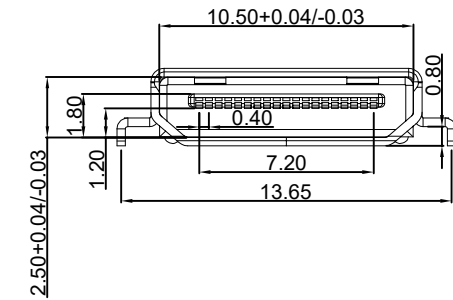
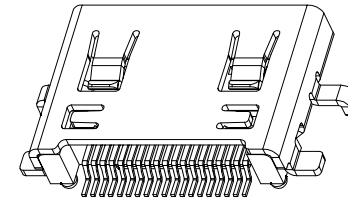
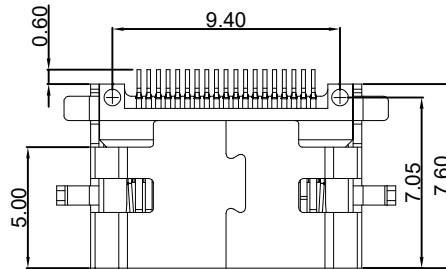
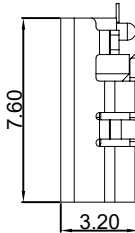
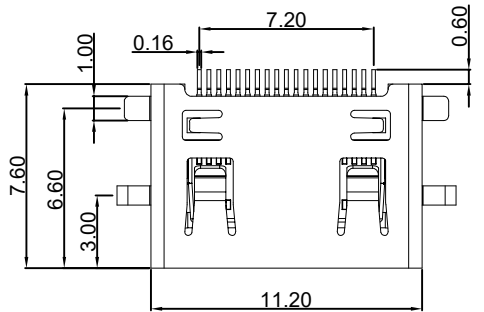
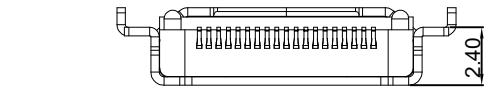


RoHS

REV	ECN NO.	DESCRIPTION	DESIGN	APPROVAL	DATE
A1	NEW	更换图框			2023.11.25



特性: Specifications:

电器: Electrical:

接触阻抗: Contact Resistance 30 milliohms Max

耐电压: Dielectric Withstanding Voltage: 500VAC Sea Level

绝缘阻抗: Insulation Resistance: 100 MEGA ohms MIN

材料: Material:

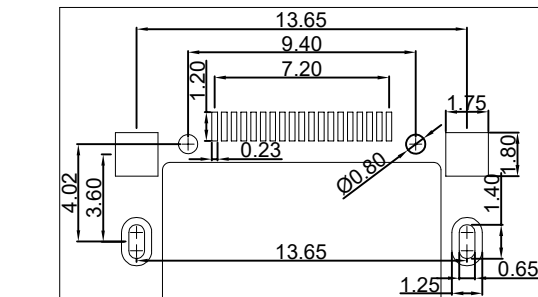
塑胶Housing: High Temperature Thermoplastics.LCP UL94V-0 Black

端子: Contact: Copper Alloy铜合金

电镀Finish: 端子Contact: Gold plated 镀全金

外壳: shell: Copper Alloy铜合金

电镀Finish: 外壳: Gold plated



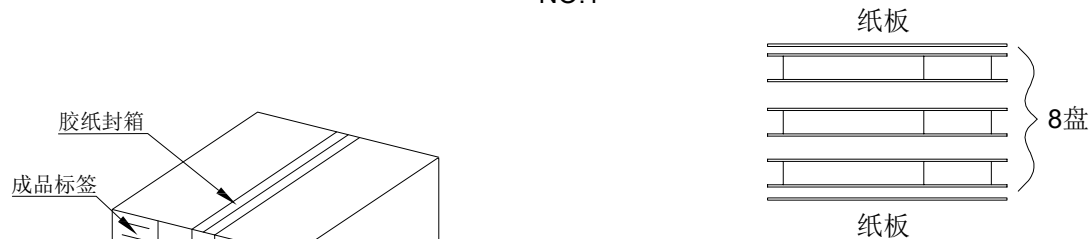
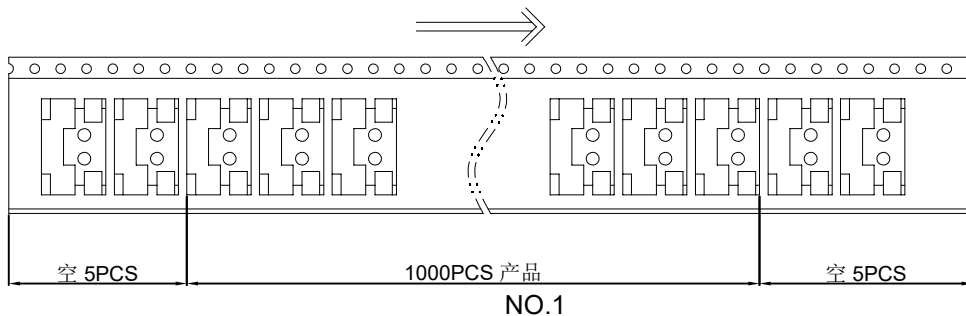
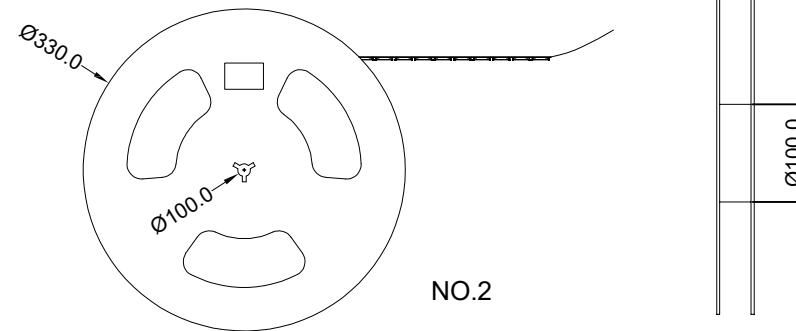
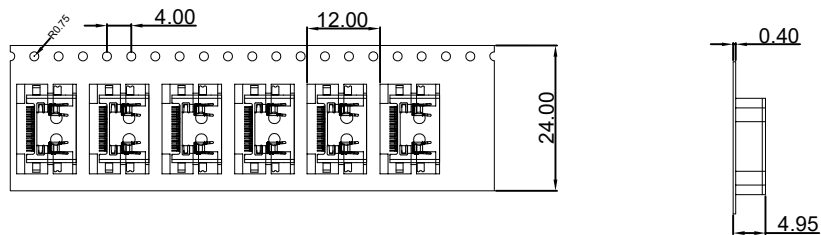
X. 0.3	X.°±
.X±0.2	.X°±
.XX±0.08	.XX°±
.XXX±0.03	.XXX°±
UNITS:	mm

THESE DRAWINGS AND SPECIFICATIONS ARE THE PROPERTY OF XFCN AND SHALL NOT BE REPRODUCED, COPIED OR CUED IN ANY MANNER WITHOUT THE PRIOR WRITTEN CONSENT OF XFCN

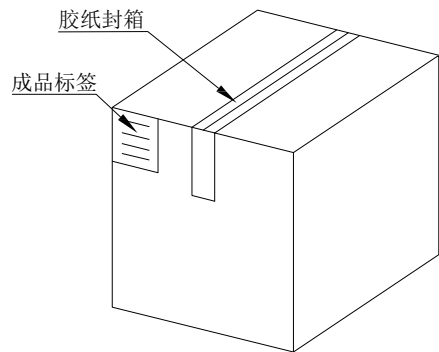
PART NO:		HDS24-F1F1-2000-A		XFCN 兴飞连接器	
TITLE:		HDMI C TYPE 沉板铜壳镀金前插后贴		0769-82001899	
				www.xfconn.com	
UNITS:		mm		DWG NO: /	
APPD	Chen ZhiQiang	VIEW			
CHKD	Liu Wei	SCALE			
DRAW	Chen HongJiang	SHEET	1/2	REV	
DATE	2024.08.13	NONE	1/2	A1	

RoHS

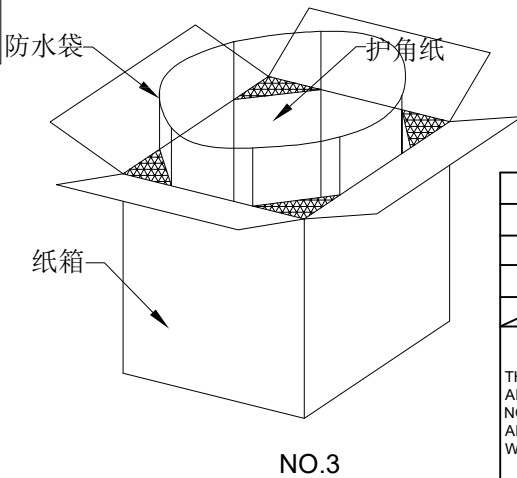
REV	ECN NO.	DESCRIPTION	DESIGN	APPROVAL	DATE
A1	NEW	更换图框			2023.11.25



1. 材质要求:
- 1.1 纸箱的材质为K=K;外形尺寸为330*330*385;
 - 1.2 卷盘的材质为PS,卷盘的外形尺寸为0330*30.4;
 - 1.3 卷带的材质为PS,卷带的外形尺寸为20200*24.00*4.95mm;
2. 包装方式:
- 2.1 将卷带放入包装机后, 前空5PCS,后放产品1000PCS, 后再空5PCS;上带留300MM长度。
 - 2.2 将包装好的产品从包装机上取下并包装好, 贴上内盘标签;
 - 2.3 把累叠好的8盘叠放入纸箱中共计8Kset,上下放纸板, 纸箱四个角塞护角纸;
 - 2.4 把包装好的成品打包封箱, 并在纸箱外贴上标签



纸箱规格: 330*330*385



X.0.3	X.°±	PART NO:		HDS24-F1F1-2000-A		XFCN 兴飞连接器	
.X±0.2	.X°±	TITLE:		HDMI C TYPE 沉板铜壳镀金前插后贴包装图		0769-82001899	
.XX±0.08	.XX°±	UNITS:		mm		www.xfconn.com	
.XXX±0.03	.XXX°±	THESE DRAWINGS AND SPECIFICATIONS ARE THE PROPERTY OF XFCN AND SHALL NOT BE REPRODUCED, COPIED OR CUED IN ANY MANNER WITHOUT THE PRIOR WRITTEN CONSENT OF XFCN		DWG NO:		/	
		APPD	Chen ZhiQiang	VIEW	⊕		
		CHKD	Liu Wei	SCALE	SHEET	REV	
		DRAW	Chen HongJiang	DATE	2024.08.13	NONE	2/2 A1