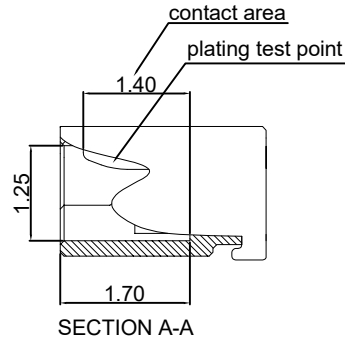
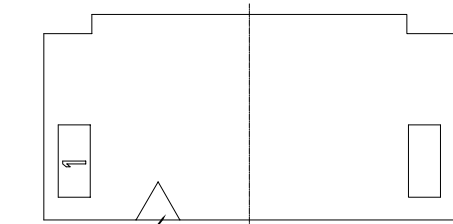


RoHS

REV	ECN NO.	DESCRIPTION	DESIGN	APPROVAL	DATE
A1	NEW	更换图框			2023.11.25

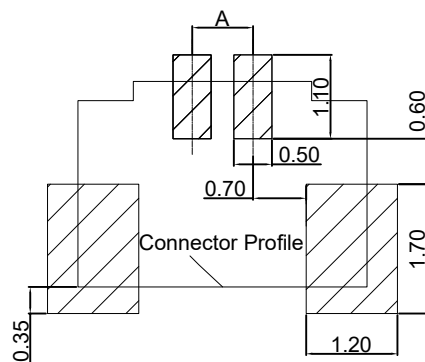
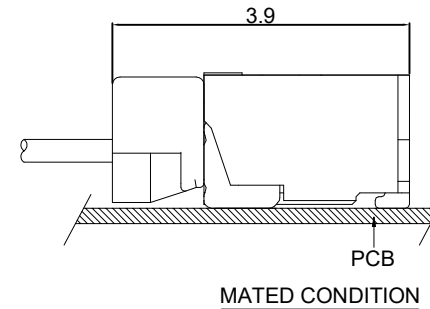
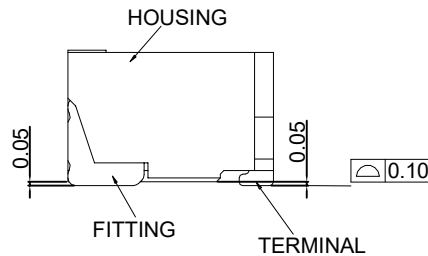
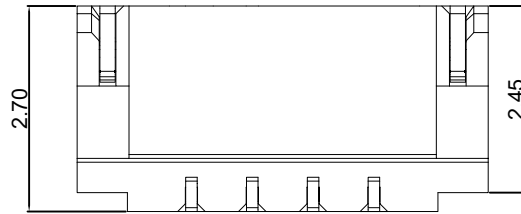
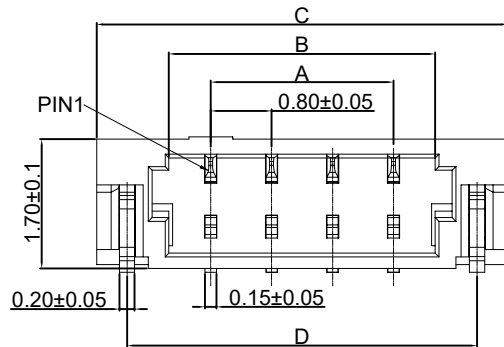


SPECIFICATIONS
 Current rating: 0.5A, AC, DC
 Voltage rating: 30V AC,DC
 Temperature range: -25°C ~ +85°C
 Insulation resistance: 100MΩ Min.
 Withstanding voltage: 200V AC/ minute
 Contact resistance: 20mΩ Max.

Material:
 Insulator: LCP UL 94V-0
 Contact: Phosphor bronze
 Solder Tab: Brass
 Finish: Plated Tin or Plated Gold
 Circuits: 2-20P
 Mate with: XFCN M0800HI series Housing
 Ordering Code:
 M0800RS-xx-GN

Pin位数 2-20P

No. of PIN/ROW	Dimension			
	A	B	C	D
2	0.80	1.90	3.80	3.00
3	1.60	2.70	4.60	3.80
4	2.40	3.50	5.40	4.60
5	3.20	4.30	6.20	5.40
6	4.00	5.10	7.00	6.20
7	4.80	5.90	7.80	7.00
8	5.60	6.70	8.60	7.80
9	6.40	7.50	9.40	8.60
10	7.20	8.30	10.20	9.40
11	8.00	9.10	11.00	10.20
12	8.80	9.90	11.80	11.00
13	9.60	10.70	12.60	11.80
14	10.40	11.50	13.40	12.60
15	11.20	12.30	14.20	13.40
16	12.00	13.10	15.00	14.20
17	12.80	13.90	15.80	15.00
18	13.60	14.70	16.60	15.80
19	14.40	15.50	17.40	16.60
20	15.20	16.30	18.20	17.40



RECOMMENDED PCB LAYOUT
 DEFAULT TOL: ±0.05

X.±0.50	X.°±
.X±0.25	.X°±
.XX±0.15	.XX°±
.XXX±0.10	.XXX°±
UNITS:	mm

THESE DRAWINGS AND SPECIFICATIONS ARE THE PROPERTY OF XFCN AND SHALL NOT BE REPRODUCED, COPIED OR CUED IN ANY MANNER WITHOUT THE PRIOR WRITTEN CONSENT OF XFCN

PART NO: M0800RS-xx-GN		XFCN 兴飞连接器	
TITLE: 0.80mm IDC Style Connectors		0769-82001899	
		www.xfconn.com	
		DWG NO: ,	
APPD	Chen ZhiQiang	VIEW	
CHKD	Liu Wei	SCALE	SHEET
DRAW	Chen HongJiang	SCALE	REV
DATE	2024.07.17	NONE	1/1 A1