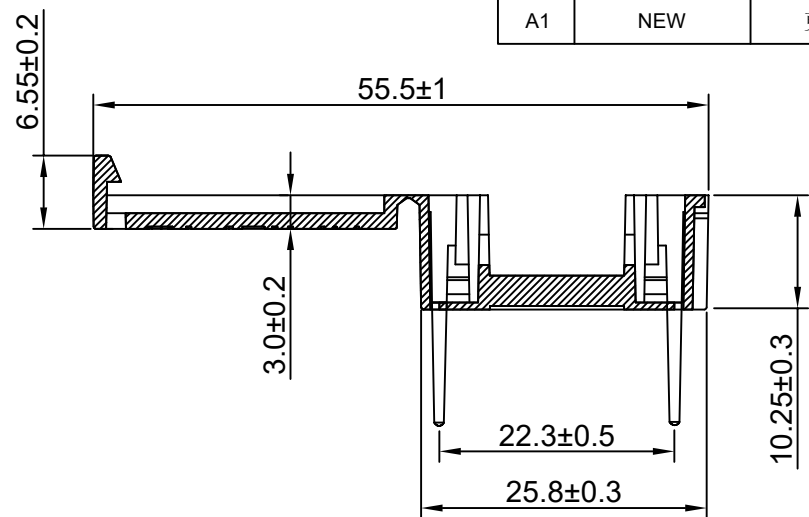
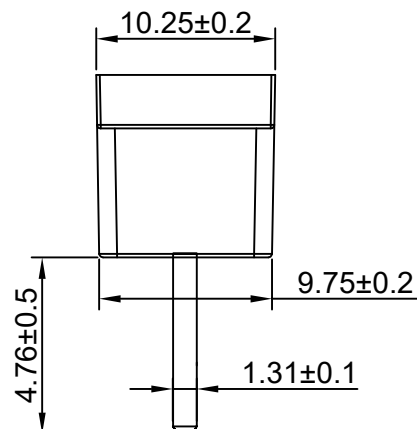
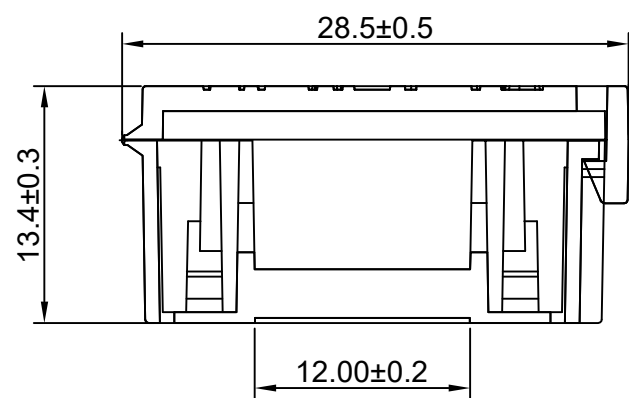
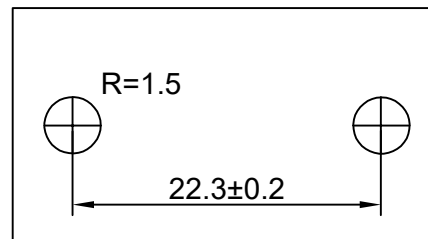


# RoHS

REV	ECN NO.	DESCRIPTION	DESIGN	APPROVAL	DATE
A1	NEW	更换图框			2024.04.17



**SPECIFICATIONS**  
 Current Rating: 10 Amps @ 500V AC  
 Temperature Rating: -40 °C to 125 °C  
 Insulator: Nylon , UL 94V-0  
 Contacts: Brass  
 Finish: Tin plated over Nickel  
 Fuse Size: 5.2x20mm 保险丝



X.±0.50	X.°±
.X±0.25	.X°±
.XX±0.15	.XX°±
.XXX±0.10	.XXX°±
UNITS:	mm

PART NO: BLX-A-B		<b>XFCN</b> 兴飞连接器		
TITLE: 5.2x20mm 保险丝座		0769-82001899		
		www.xfconn.com		
		DWG NO: /		

THESE DRAWINGS AND SPECIFICATIONS ARE THE PROPERTY OF XFCN AND SHALL NOT BE REPRODUCED, COPIED OR CUED IN ANY MANNER WITHOUT THE PRIOR WRITTEN CONSENT OF XFCN

APPD	Chen ZhiQiang	VIEW		
CHKD	Liu Wei	SCALE	SHEET	REV
DRAW	Chen HongJiang	NONE	1/1	A1
DATE	2024.08.26			