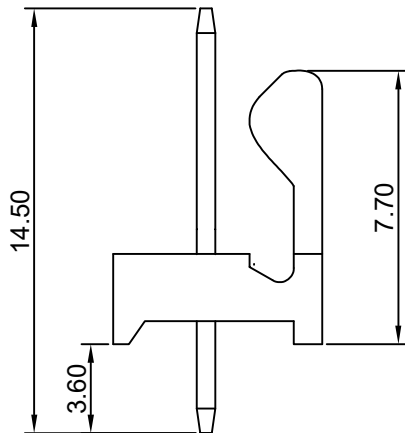
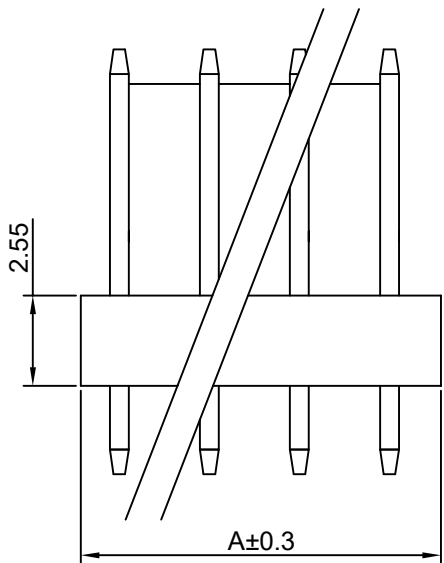


RoHS

REV	ECN NO.	DESCRIPTION	DESIGN	APPROVAL	DATE
A1	NEW	更换图框			2023.11.25



SPECIFICATIONS

1. Current rating: 4A AC, DC
2. Temperature range: -40°C ~ +130°C
3. Insulation Resistance: 5000MΩ Min.
4. Withstanding voltage: 2200V AC/ minute.
5. Contact Resistance: 30mΩ Max.

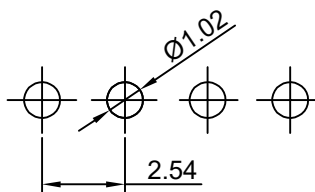
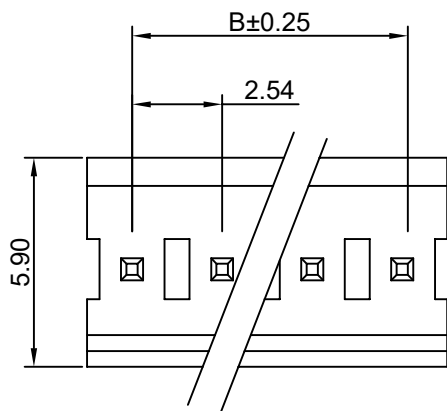
Material:

Insulator: PA66 UL 94V-0
 Pin Material: Brass
 Plating: Tin plated
 Mate with XFCN P2545 series Housing

Ordering Code:

M2545V-XXP
 1 2

- 1.序列号
- 2.Pin位数: (02-20)



PVB LAYOUT

PIN	尺寸 (mm)	
	A	B
02	5.08	2.54
03	7.62	5.08
04	10.16	7.62
05	12.70	10.16
06	15.24	12.70
07	17.78	15.24
08	20.32	17.78
09	22.86	20.32
10	25.40	22.86
11	27.94	25.40
12	30.48	27.94
13	33.02	30.48
14	35.56	33.02
15	38.10	35.56
16	40.64	38.10

X.±0.50	X.°±
.X±0.25	.X°±
.XX±0.15	.XX°±
.XXX±0.10	.XXX°±
UNITS:	mm

PART NO: M2545V-XXP	
TITLE: 2.54mm Crimp Style Connectors	

XFCN 兴飞连接器	
0769-82001899	
www.xfconn.com	
DWG NO: /	

THESE DRAWINGS AND SPECIFICATIONS ARE THE PROPERTY OF XFCN AND SHALL NOT BE REPRODUCED, COPIED OR CUED IN ANY MANNER WITHOUT THE PRIOR WRITTEN CONSENT OF XFCN

APPD	Chen ZhiQiang	VIEW		
CHKD	Liu Wei	SCALE	SHEET	REV
DRAW	Chen HongJiang	NONE	1/1	A1
DATE	2024.07.27			